

▶ Carbon-lifting Pump

Technical Parameters

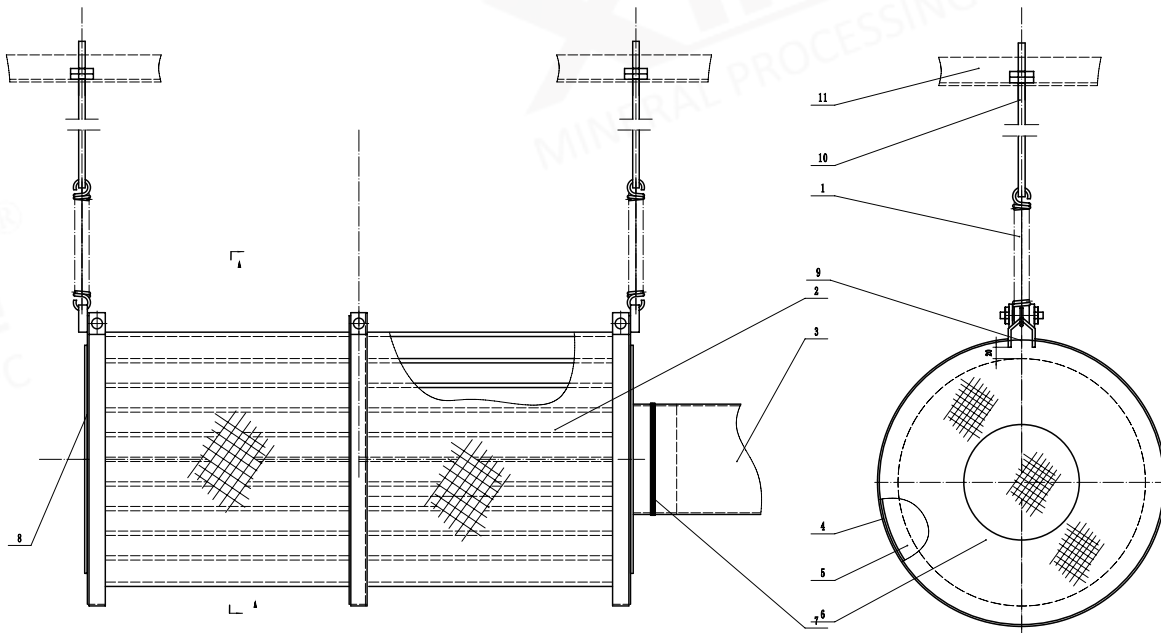
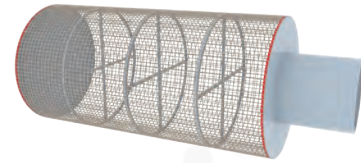
Model	Head (m)	Flow (m ³ /h)	Rotating Speed of Main Shaft (r/min)	Diameter of Discharge Pipe (mm)	Motor Model	Motor Power (kW)	Weight (kg)	Remarks
TB-3	3	5.76	516	50	Y100L1-4	2.2	630	Type 50I
TB-7	7		817		Y112M-4	4	640	Type 50II



▶ Carbon Screen

Technical Parameters

Model	Diameter of Screen Frame (mm)	Length of Screen Frame (mm)	Sieve Size/ Mesh	Weight (kg)
SY100	100	1000	28	10
SY125	125	1000	28	13
SY200	150	1000	28	14
SY250	200	1000	28	16
SY300	300	1000	32	24
SY500	500	1000	32	35



■ Structure Drawing of Carbon Screen

- ⊙ Notes: 1. Spring 2. Screen cloth 3. Rubber pipe 4. Crane 5. Screen frame 6. Screen cloth
 7. Steel wire 8. Pressing plate 9. Lifting ring 10. Lifting ring 11. Angle steel

