

## AGITATING

### High-efficiency Agitation Tank

#### Principle

The rotation of the impeller drives the flowing of the slurry, which makes the mineral grains and the agents mix well.

#### Features

Big diameter impeller and strong agitation capability of the slurry and agent.

Big linear velocity impeller and strong agitation capability of the slurry and agent.

Umbrella-shaped impeller enhances the agitation and circulation capability of the slurry and agent.

With the agitation capability enhanced, the circulation capability of the slurry and agent will also be enhanced.

With a baffle equipped in the tank, strong negative pressure is compressed in a limited space which improves the suction capability and enhances the circulation capability of the slurry and the agent.

The running down pressure of the umbrella-shaped impeller.

Enhances the suction capability and the circulation capability, and further enhances the circulation capability of the agent and ores with the sprayer equipped at the lower part of the baffle.

Only 100% agent of the ore surface ensures higher index.

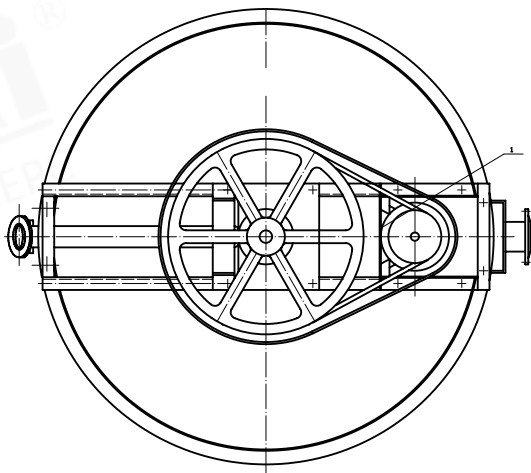
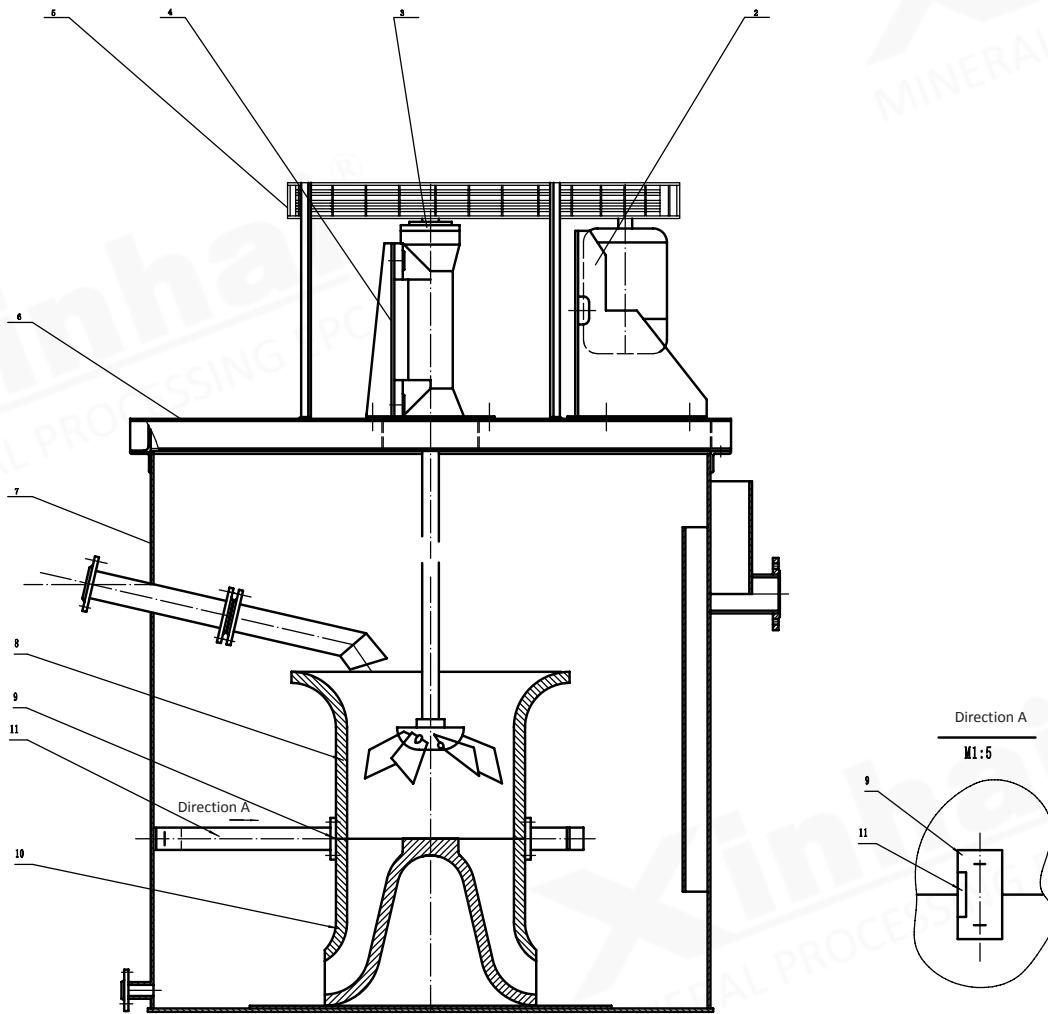
#### Application

Used for the slurry agitation before the flotation operation.

#### Technical Parameters

| Model         | Effective Volume (m <sup>3</sup> ) | Rotating Speed of Impeller (r/min) | Diameter of Impeller (mm) | Motor Model | Motor Power (kW) | Weight (kg) |
|---------------|------------------------------------|------------------------------------|---------------------------|-------------|------------------|-------------|
| GBJ-1000×1000 | 0.58                               | 530                                | 240                       | Y112M-6     | 2.2              | 548         |
| GBJ-1250×1250 | 1.15                               | 350                                | 240                       | Y100L2-4    | 3                | 820         |
| GBJ-1500×1500 | 2.2                                | 320                                | 420                       | Y132M2-6    | 5.5              | 1350        |
| GBJ-2000×2000 | 5.46                               | 240                                | 560                       | Y160M-6     | 7.5              | 3173        |
| GBJ-2500×2500 | 11.2                               | 232                                | 560                       | Y180L-6     | 15               | 3939        |
| GBJ-3000×3000 | 19.1                               | 220                                | 700                       | Y225S-8     | 18.5             | 6676        |
| GBJ-3500×3500 | 31                                 | 248                                | 700                       | Y225M-8     | 22               | 7581        |
| GBJ-4000×4000 | 45                                 | 153                                | 1000                      | Y250M-8     | 37               | 9560        |





■ Structure Drawing of High-efficiency Agitation Tank

- ⊙ Notes:
- |                                    |                           |
|------------------------------------|---------------------------|
| 1. Small belt pulley               | 2. Motor base             |
| 3. Vertical shaft assembly         | 4. Vertical shaft support |
| 5. Safety guard                    | 6. Frame                  |
| 7. Tank body                       | 8. Diversion bucket       |
| 9. Connecting plate                | 10. Diversion bucket base |
| 11. Connecting reinforcement plate |                           |