

Automatic Control Device of High-efficiency Thickener

Features

Monitor the height of flocced automatically in high-efficiency thickener, and control the underflow pump speed of automatic control high-efficiency thickener hereby, so as to maintain the steady of flocced.

Frequency-converting control and linear adjustment.

Technical Parameters

Model	Control High-Efficiency Thickener Model	Control Underflow Pump Motor Power (kW)	Max. Control Height of Flocced (m)
GJK-33	GX-3.6	3	0~2.5
GJK-375	GX-3.6	7.5	0~2.5
GJK-311	GX-3.6	11	0~2.5
GJK-575	GX-5.18	7.5	0~2.5
GJK-511	GX-5.18	11	0~2.5
GJK-5185	GX-5.18	18.5	0~2.5
GJK-1245	GX-12	45	0~2.5
GJK-1255	GX-12	55	0~2.5

Hydraulic Pressure Center Transmission Thickener

Features

Large capacity and high concentration efficiency.

It is driven by hydraulic pressure with overload protection function.

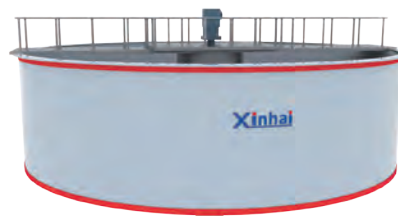
The automatic lifting harrow by hydraulic pressure is realized by the core PLC auto-induction pressure transducer signal.

Automatic dosing system can be set.

Simple structure of the transmission device makes convenient maintenance.

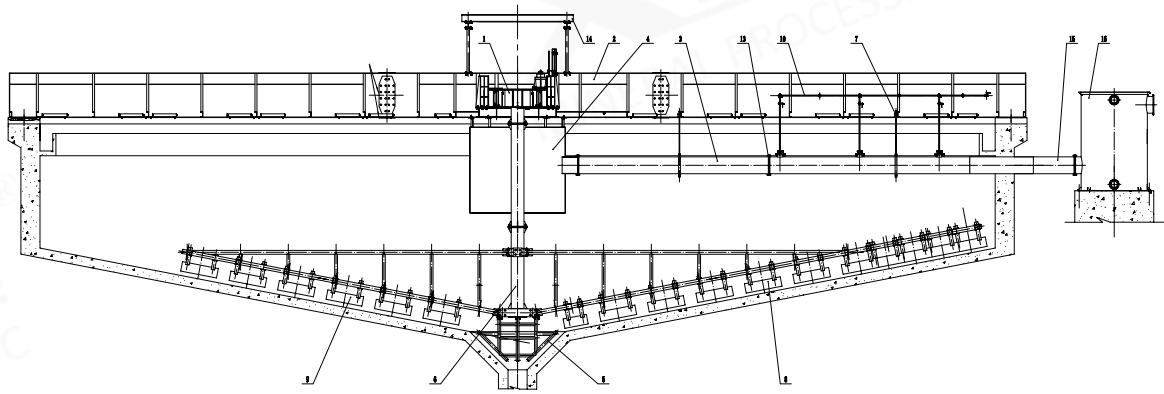
Application

It is mainly used for clarification and concentration of slime water or slurry in mines in order to achieve the purpose of dewatering. It is also used for the dewatering operation of solid-liquid separation in chemical and metallurgical industry.



Technical Parameters

Model	Thickening Tank Diameter (m)	Thickening Tank Center Depth (m)	Subsidence Area (m ²)	Time of Harrow Rack Rotation (min)	Height of Lifting Harrow (mm)	Capacity (t/d)	Drive Power (kW)
NZY-6	6	3~3.2	28	2.5~5	350	50~100	3
NZY-9	9	3.5~3.8	63.6	3~5	350	120~175	3
NZY-12	12	3.5~3.8	113	4~7	350	200~300	4
NZY-15	15	4~4.5	176	5~10	450	350~400	5.5
NZY-18	18	4~4.5	254	8~12	450	600~800	5.5
NZY-20	20	4~4.5	314	8~12	450	800~1000	7.5
NZY-24	24	4.5~5.5	450	9~12	450	1000~1300	7.5
NZY-30	30	4.5~5.5	706	10~14	450	1500~1800	11
NZY-38	38	6.5~8	1134	15~22	600	1800~2200	15
NZY-40	40	6.5~8	1256	15~22	600	2200~2400	15
NZY-45	45	6.5~8	1590	15~22	600	2400~2800	15
NZY-53	53	6.5~8	2206	15~22	600	3000~3500	15
NZY-60	60	7~8.5	2827	16~50	600	3500~5000	18.5
NZY-75	75	8~10	4418	20~80	800	7500~10000	22
NZY-100	100	8~10	7853	35~80	800	10000~15000	30



■ Structure Drawing of Hydraulic Pressure Center Transmission Thickener

- ⊙ Notes:
- | | | | |
|---------------------|-----------------------------------|----------------------------|-------------------------------|
| 1. Transmission | 2. Crane span structure | 3. Feeding pipe component | 4. Steady flow bucket |
| 5. Auxiliary rake | 6. Shaft | 7. Hanger rod | 8. Long rake frame |
| 9. Short rake frame | 10. Agent feed pipeline | 11. Hydraulic station | 12. Electrical control device |
| 13. Rubber gasket | 14. Lifting frame for maintenance | 15. Feed pipe outside pool | 16. Defoaming bucket |